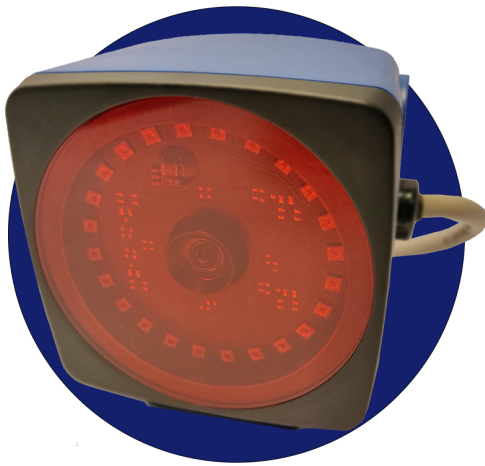


**PGV100R**

## Precision on sub-millimetre level

A high resolution matrix code reader for outstanding navigation of AGVs and bots. The PGV100R (Position Guided Vision) sensor is equipped with a high-intensity red illuminating light source combined with high-resolution camera technology, which enables reliable and precise measurements with great repeat accuracy and short response times.

The PGV sensor uses data matrix codes (position markers) placed on the floor, allowing precise navigation in open environments where wall-mounted navigation is prevented. The PGV sensor is flexibly placed underneath the AGV in parallel to the floor and reads the location of the position markers while driving over them.



### Features

- High resolution sensor for NDC8 barcode navigation
- Aux sensor for identification of loads
- Aux sensor for high resolution load handling
- Non-contact positioning, no wearing parts and maintenance free
- Fixed cable 1.5 m for easy installation
- CANopen interface
- CAN termination switchable in software
- Configured with code cards (baudrate, node-ID, termination)
- Light switchable off/on

Order information	
PGV100R (Incl. 1.5 m cable)	18459-01
PGV Mounting bracket (incl. 4x screw/washer)	PGV Mount
Position markers	Pepperl+Fuchs PGV85-CT4, order at <a href="http://pepperl-fuchs.com">pepperl-fuchs.com</a>
Protective laminate	Pepperl+Fuchs PGV25M-CD160-CLEAR, order at <a href="http://pepperl-fuchs.com">pepperl-fuchs.com</a>

Technical data	
Supply voltage, nominal	24 V
Supply voltage, min/max	15/30 V
Power consumption	Max. 3 W ( $\leq 200$ mA)

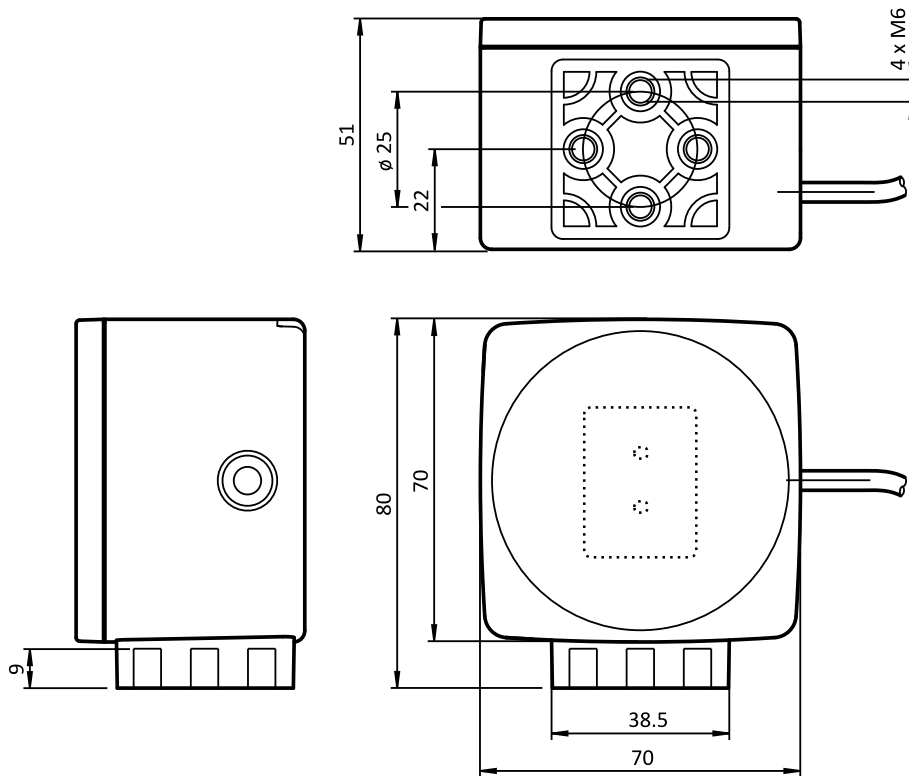
Technical data	
Passage speed (PGV sensor)	≤ 8 m/s
Vehicle speed (NDC8)	≤ 1.5 m/s (refer to <i>Datasheet Vehicle Software</i> )
Read distance / Depth of focus	100 mm / ± 30 mm
Reading field	120 mm x 80 mm
Resolution / Accuracy	0.1 mm / ± 0.2 mm @ 100 mm
Ambient light limit	100 000 Lux
Illumination	Multiple red LEDs, eyesafe
Communication	1 x CAN
Connection	1.5 m cable, open ends

Ambient condition	
Temperature, operation	0 to 60 °C, -20 to 60 °C (non-condensing; prevents icing on the lens)
Temperature, storage	-40 to 85 °C
Relative humidity, operation	90%, non-condensing
Relative humidity, storage	90%
Vibration class, Shock resistance	EN 60068-2-6:2008, EN 60068-2-27:2009
Protection class	IP40

Dimensions	
Width x Height x Depth	70 x 80 x 51 mm
Weight	0.2 Kg

Cable wires	
Wire	Signal
White	GND 0V
Brown	24V DC
Green	CAN H
Yellow	CAN L
Screen	Ground

## PGV100R



## PGV mount

